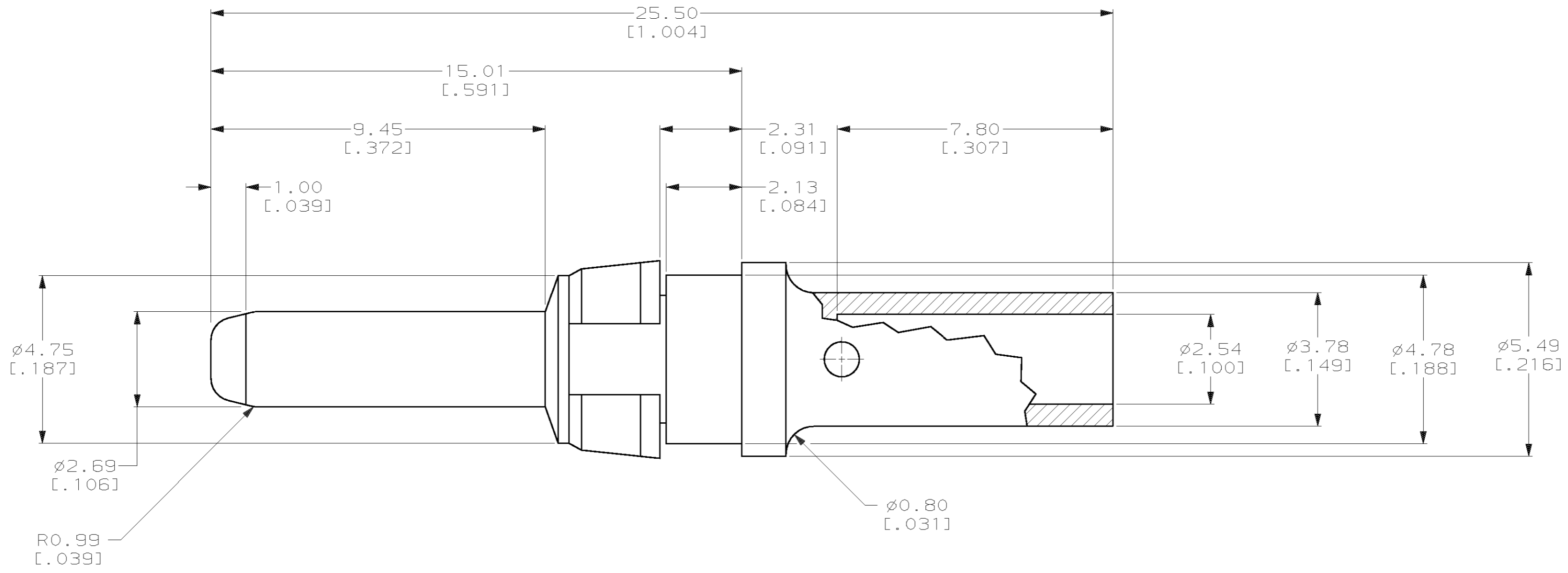


THIS DRAWING IS UNPUBLISHED. RELEASED FOR PUBLICATION .19  
 © COPYRIGHT 19 BY AMP INCORPORATED. ALL RIGHTS RESERVED.

LOC		DIST		REVISIONS			
P	LTR	DESCRIPTION	DATE	DWN	APVD		
AD	25	C	REDRAWN PER EC 001B-0034-00	23 MAR 00	-	-	



- 1 CONTACT: BRASS.  
RETAINING RING: BERYLLIUM COPPER.
- 2 CONTACT: 0.76µm[.000030] MIN GOLD  
OVER 1.27µm[.000050] MIN NICKEL.
- 3. WIRE BARREL WILL ACCEPT 12-14 AWG WIRE.
- 4. MATES WITH 148250-1.
- 5. RECOMMENDED CRIMPING TOOL: DANIELS TOOL  
#M300-BT, POSITIONER PART NUMBER SP689,  
SETTING #1, STRIP LENGTH 8.13[.320].

148249-1  
 PART NUMBER

THIS DRAWING IS A CONTROLLED DOCUMENT.		DWN B. CARBO 23 MAR 00	AMP Incorporated Harrisburg, PA 17105-3608	
DIMENSIONS: mm [INCHES]		CHK C. RICHARD 23 MAR 00	NAME POWER CONTACT, MALE, CRIMP, "MFBL", AWG 12-14 (20 AMP)	
TOLERANCES UNLESS OTHERWISE SPECIFIED:		APVD C. RICHARD 23 MAR 00	SIZE A2	CAGE CODE 00779
0 PLC ±- 1 PLC ±- 2 PLC ±0.13 [.005] 3 PLC ±- 4 PLC ±- ANGLES ±-		PRODUCT SPEC -	DRAWING NO C- 148249	RESTRICTED TO -
MATERIAL 1	FINISH 2	APPLICATION SPEC -	WEIGHT -	SCALE 10:1
CUSTOMER DRAWING			SHEET 1 OF 1	REV C

148249